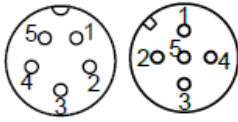




Characteristic

- Different Signal Output Options: mA, or V or mV / V
- ZERO and SPAN Setting
- More Durable with INCONEL 718 Alloy Membrane
- High Stability
- Accurate measurement
- Long life
- Resistant to Parasites
- 80% Internal calibration
- Good stability and repeatability
- Different Thermocouple Options: J Type, K Type, E Type, PT100

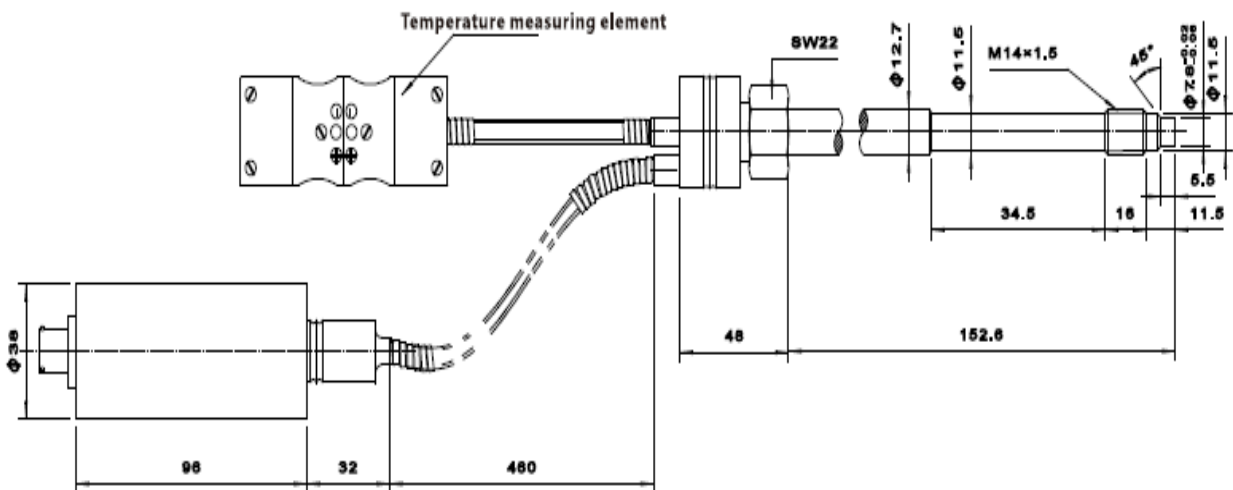
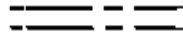
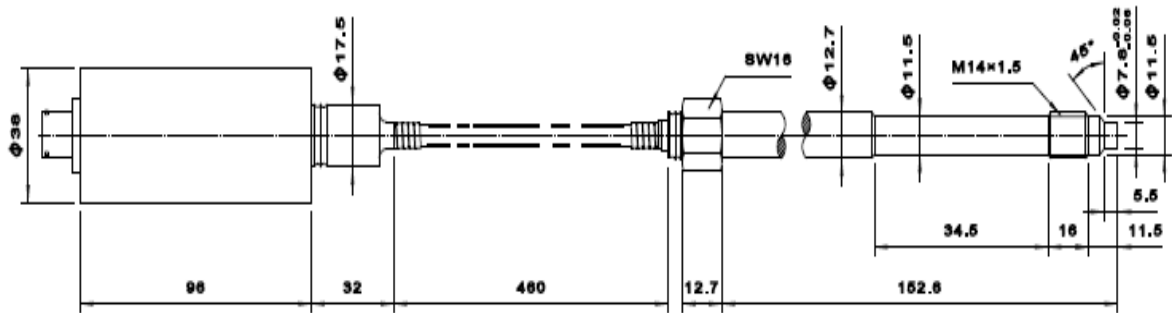
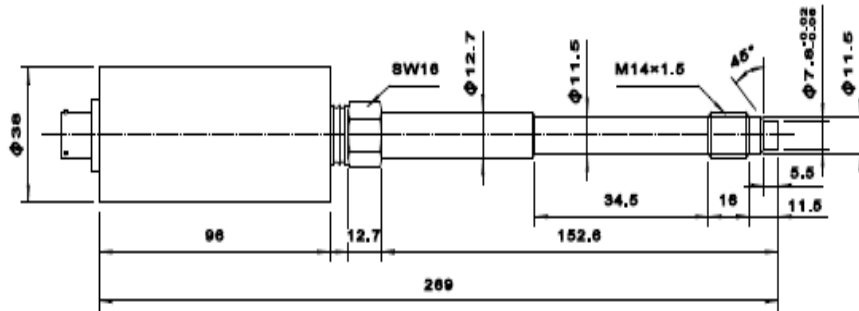


5 PIN SERIES

MPS PT Series is widely used in plastic industry requiring easy installation, good repeatability. It's various signal outputs such as mV/V, 0-5V, 0-10V or 4-20 mA are able to be connected with many pressure display. This series can also be quipped with temperature measurement component like E,J,K thermocouple. MPS PT Series transducer adopts standart 1/2"-20 UNF thread. The MPS PT series product technology is widely accepted by peers all over the world.

TECHNICAL PARAMETERS		MECHANICAL AND SEALING CHARACTERISTICS	
Power Supply	mV/V: 10 V DC(recommended), mA or V : 24V DC	Transducer Technology	Bonded Wheatstone and Wheatstone bridge
Signal Output	3.33mV/V, 0-5V, 0-10V or 4-20mA	Diaphragm Temperature	750° F(400°C), at most
Accuracy	±0.25% FS, ±0.5% FS, ±1% FS	Diaphragm Materials	5 Different Diaphragm Options
Repeatability	±0.2% FS	Progress Connection	1/2 – 20 UNF and M14 × 1.5, M16 × 1.5, M18 × 1.5 Thread
Working Temperature	mV/V, mA: 185° F (85°c)	E – connection	5 PIN,6 PIN,7 PIN,8 PIN
Overload Ability	2x FS	Install Torque	500 in/lbs , at most
Pressure Range (bar)	0-35 Bar---2000Bar	Temperature Transducer (optional)	E/J/K/PT100 Type Thermocouple Matches With 3" Flexible Conduit
Pressure Unit	psi, Bar, kPa or MPa	Certification	Patented
Zero Adjustment (±% FS)	mV/V: No, mA: ± 20%	Certification	CE Certified
Zero Balance Design (±% FS)	mV/V: ± 10%: mA: ± 0.5%	Recommend Fitting	
Zero Drift (caused by progress temperature change)	1.5bar/100° F(3bar/100°)	Install Tools	Component GJ
Bridge Resistance	mV/V: 345 Ω, at least	6 Pin E – connection	Component CON06
Overload Resistance	mA: 1100 Ω, at most	Matching Connection	
Insulation Resistance	mV/V: 1000MΩ @50 Vdc mA: 100M Ω @50 Vdc	Fix Frame (electric device)	Spares No.:ZJ, cable Fitting, indicator
Shunt Calibration (R-Cal)	80% FS ± 1% FS		

External Dimension



Ordering Code

Series Code		PT50															
Version	Rigid Stem	0															
	Rigid Stem + Flexible	1															
	With Thermocouple	2															
Accuracy	0,25% FSO			A													
	0,5% FSO			B													
	1% FSO			C													
Measurement Range	35bar 500psi																5C
	50bar 750psi																7.5C
	70bar 1000psi																1M
	100bar 1500psi																1.5 M
	200bar 3000psi																3M
	350bar 5000psi																5M
	400bar 5800psi																5.8M
	500bar 7500psi																7.5M
	600bar 8700psi																8.7M
	700bar 10000psi																10M
	1000bar 15000psi																15M
	1400bar 20000psi																20M
2000bar 30000psi																30M	
Thread	1/2-20UNF																1/2"
	M14x1.5																M14
	M16x1.5																M16
	M18x1.5																M18
Rigid Stem Length (mm/inches)	38mm 1.5"																1.5"
	50mm 2"																2"
	76mm 3"																3"
	153mm 6"																6"
	318mm 12.5"																12.5"
	350mm 14"																14"
	400mm 16"																16"
456mm 18"																18"	
Flexible Stem Length (mm/inches)	76mm 3"																3"
	152mm 6"																6"
	300mm 12"																12"
	457mm 18" (Standard)																18"
	610mm 24"																24"
	711mm 28"																28"
	760mm 30"																30"
	914mm 36"																36"
	1067mm 42"																42"
	1220mm 48"																48"
1372mm 54"																54"	
Signal Output	mV/V																mV
	mA																mA
	V																V
Thermocouple Type	None Thermocouple																-
	J Type																J
	K Type																K
	None Thermocouple																E
	PT100 Type																PT100
Diaphragm Type	Standart (17-4PH)																-
	Hastelloy																C2
	Inconel 718																I7
	TIN																T2
	DCN																D2